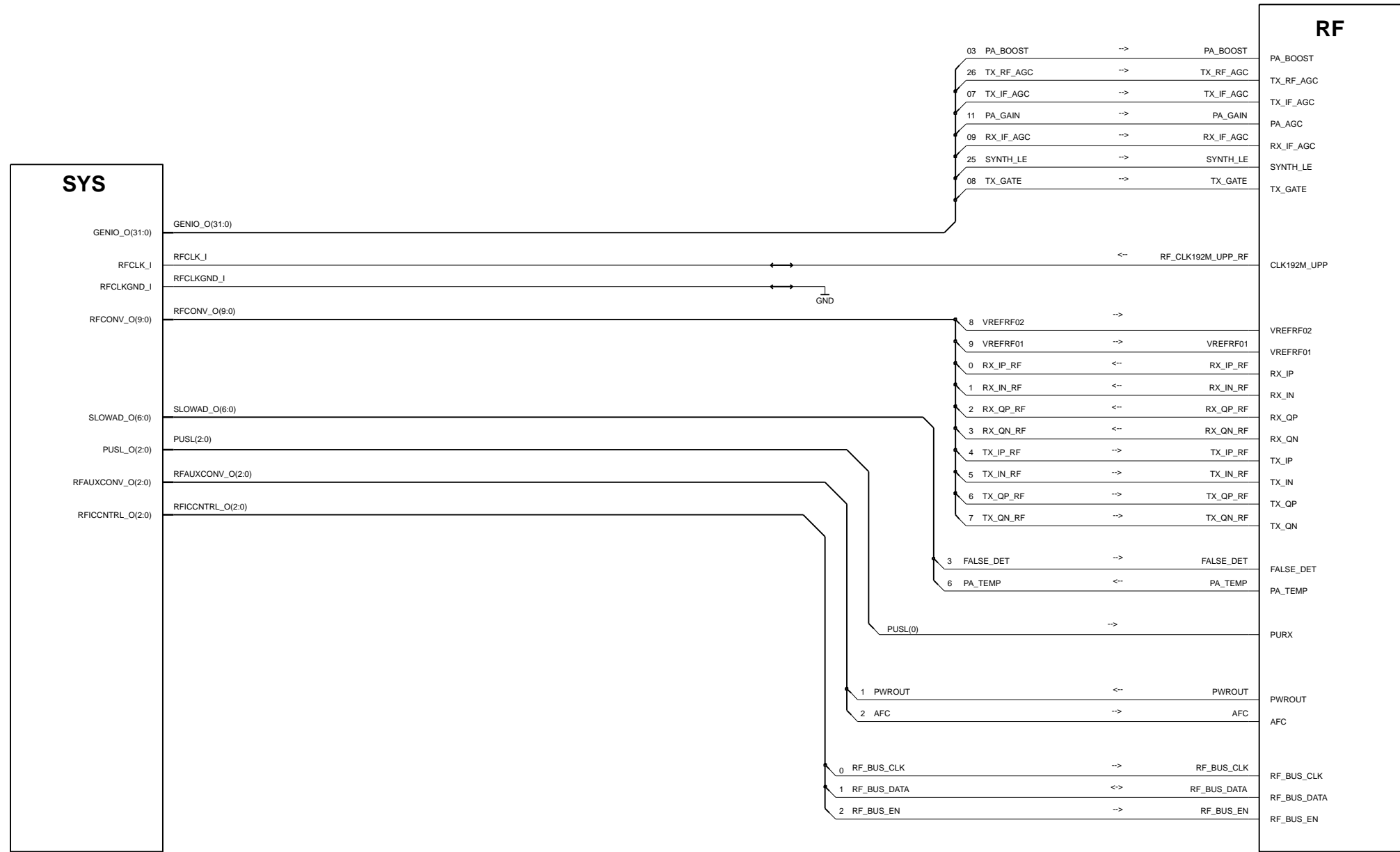


RF/BB

Sheet 1



SYS

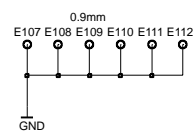
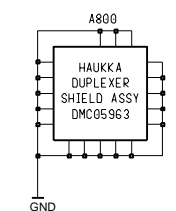
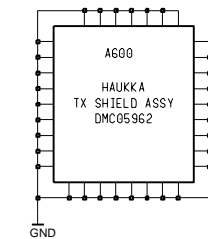
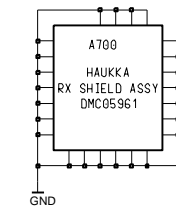
RF

Sheet 2

Sheet 19

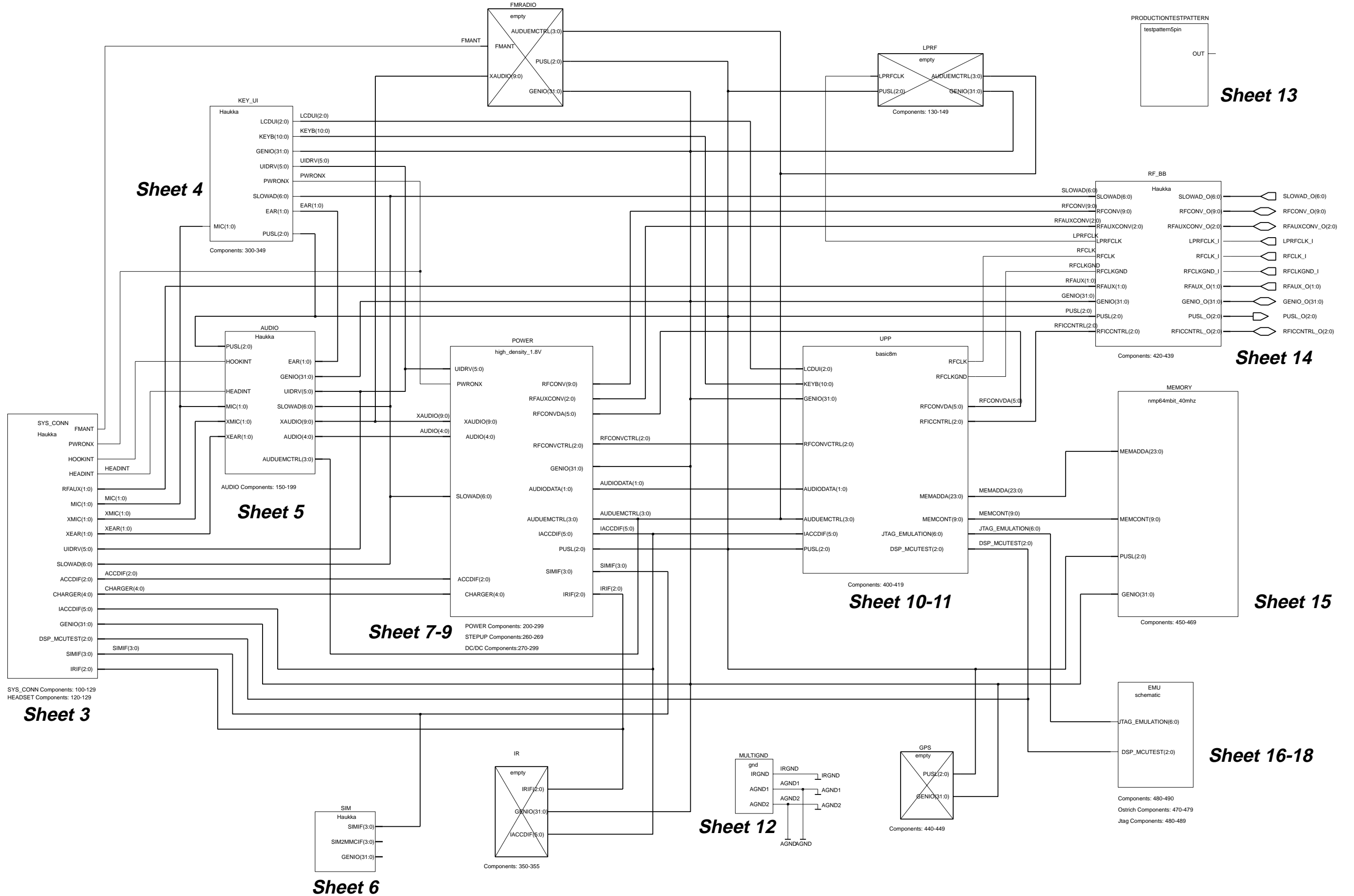
REVISION	CR NUMBER INCORPORATED	DATE COMPLETED
1AK_01	PROTOTYPE RELEASE (B1.0)	16-JUL-2002
1AK_02	PROTOTYPE RELEASE (B2.0)	16-SEP-2002
1AK_03	69052 69143 69172 69282 69370 69376 69379 69383 69385 69464 69466 69467 69572 69573 69574 69575 69576 69577 69624 69830 69834 70090	21-NOV-2002
1AK_04	70278 70595 70612 70892 70893 70894 70950 70951 70955 70957	17-DEC-2002
1AK_05	71415 71509 71696 71927	09-JAN-2003
1AK_06	72827	30-JAN-2003
1AK_06.1	73498	12-FEB-2003 IKKIM
1AK_06.2	73685	18-FEB-2003 IKKIM
1AK_06.3	74631	6-MAR-2003 IKKIM
1AK_07	74778 75084 75167 75463	19-MAR-2003 IKKIM

RF SHIELDS



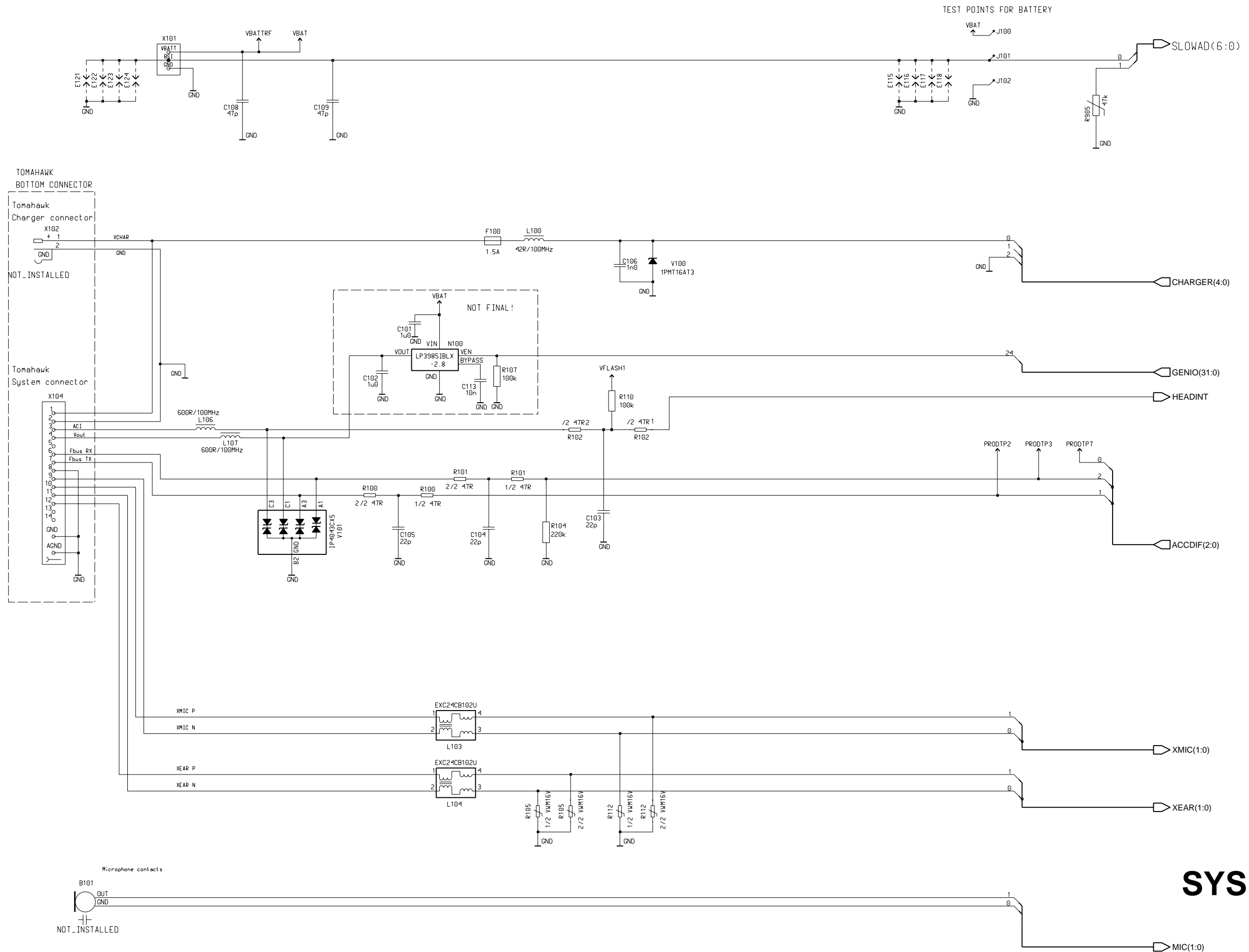
Common Baseband - Top Level

Sheet 2



System Connector

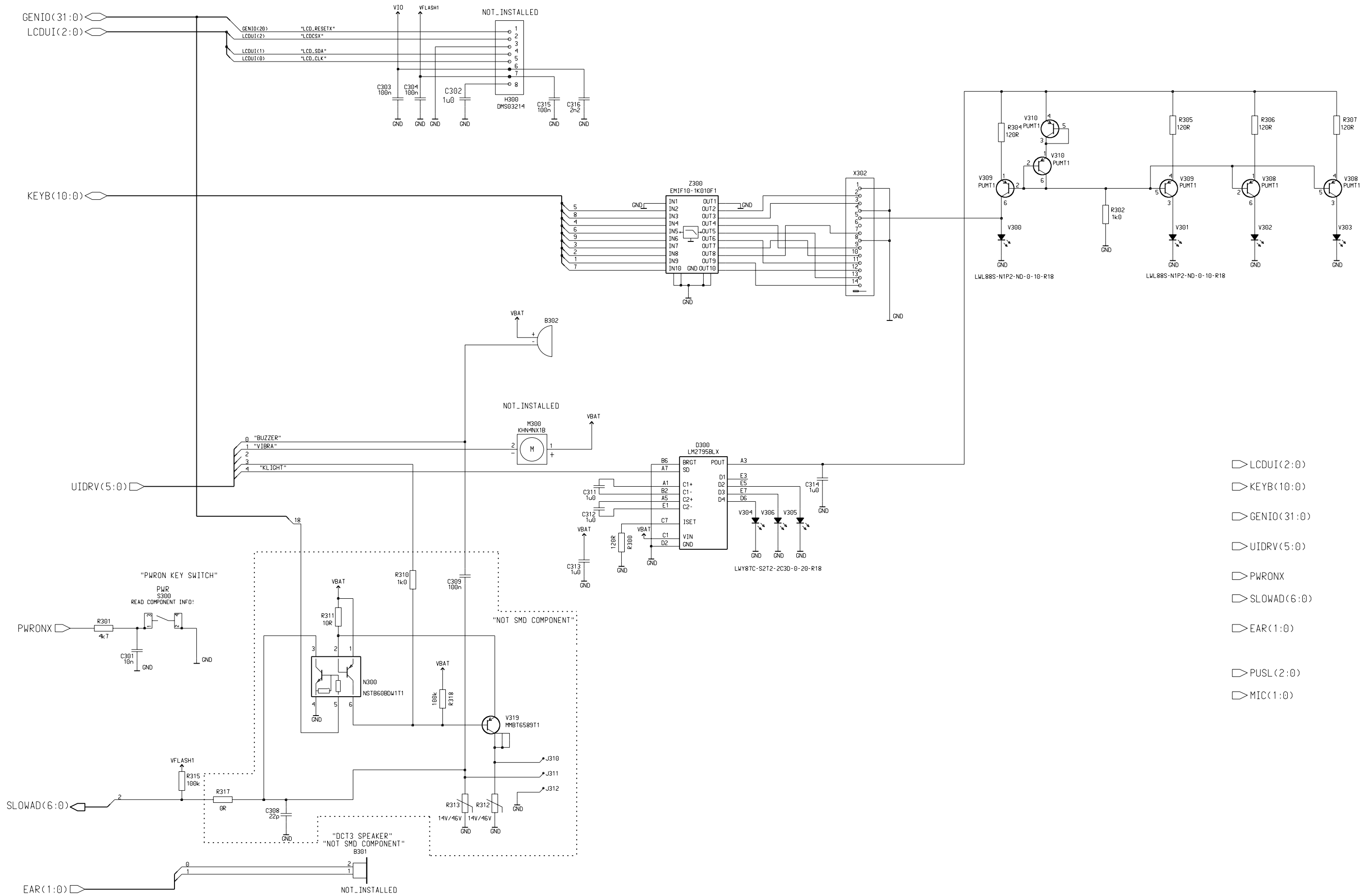
Sheet 3



SYS CONN

User Interface

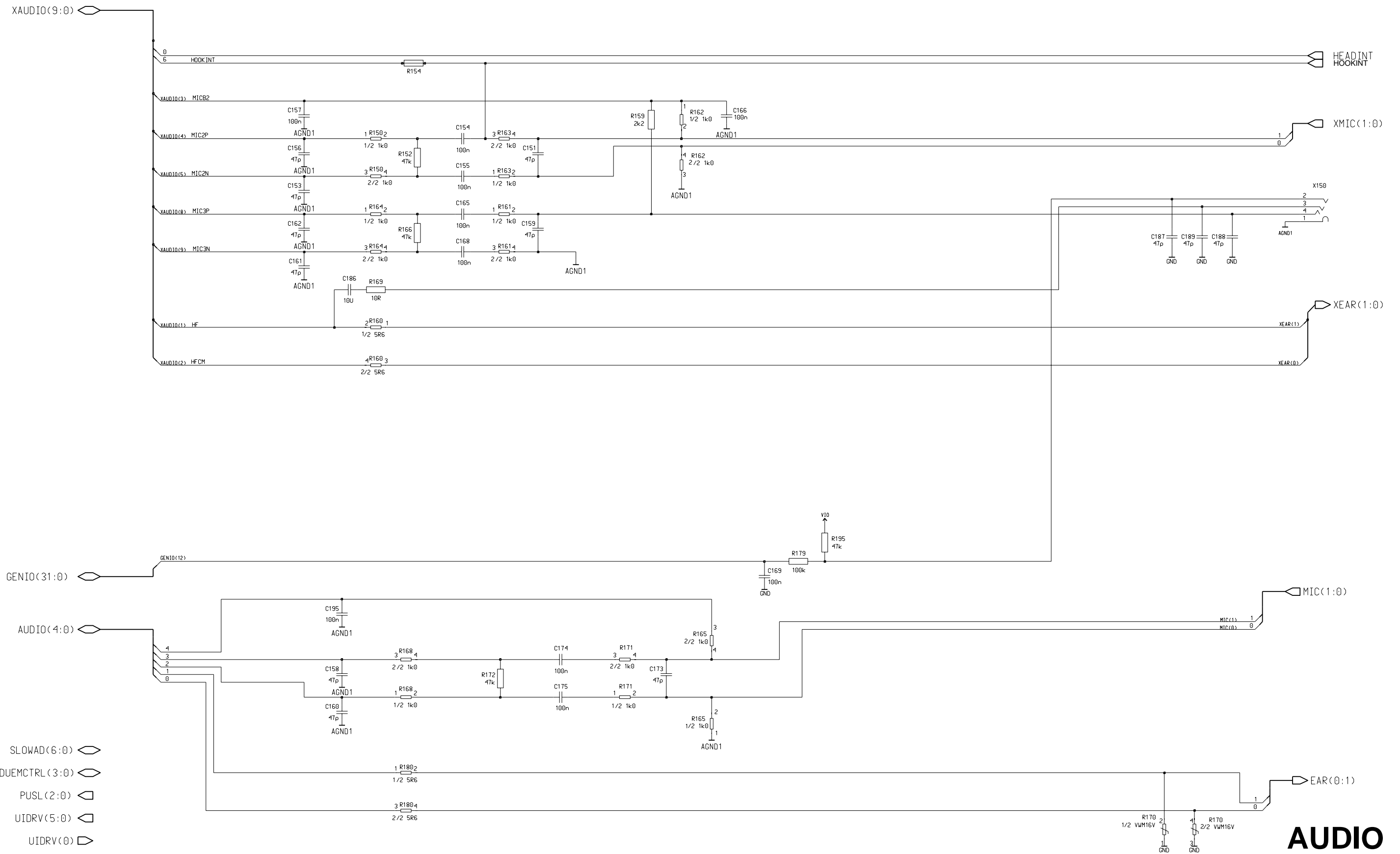
Sheet 4



- ▷ LCDUI(2:0)
- ▷ KEYB(10:0)
- ▷ GENIO(31:0)
- ▷ UIDRV(5:0)
- ▷ PWRONX
- ▷ SLOWAD(6:0)
- ▷ EAR(1:0)
- ▷ PUSL(2:0)
- ▷ MIC(1:0)

Audio

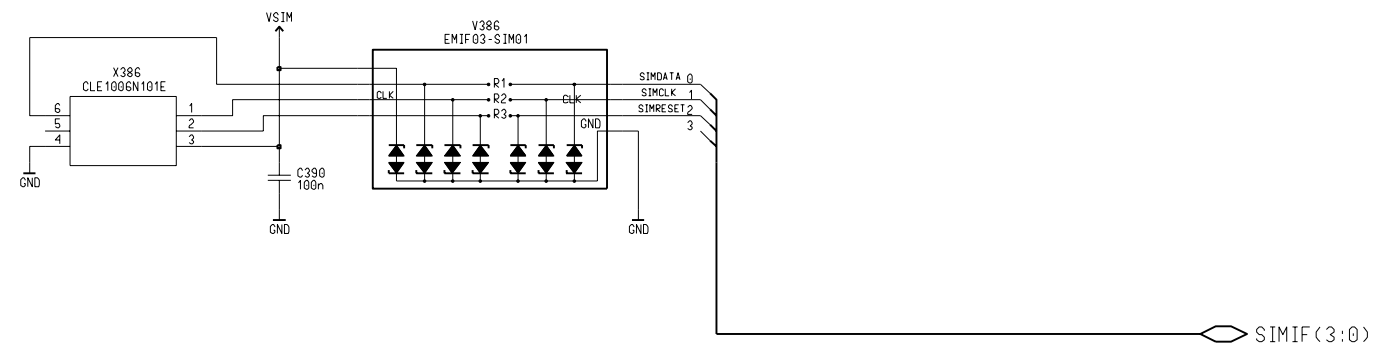
Sheet 5



AUDIO

SIM Reader

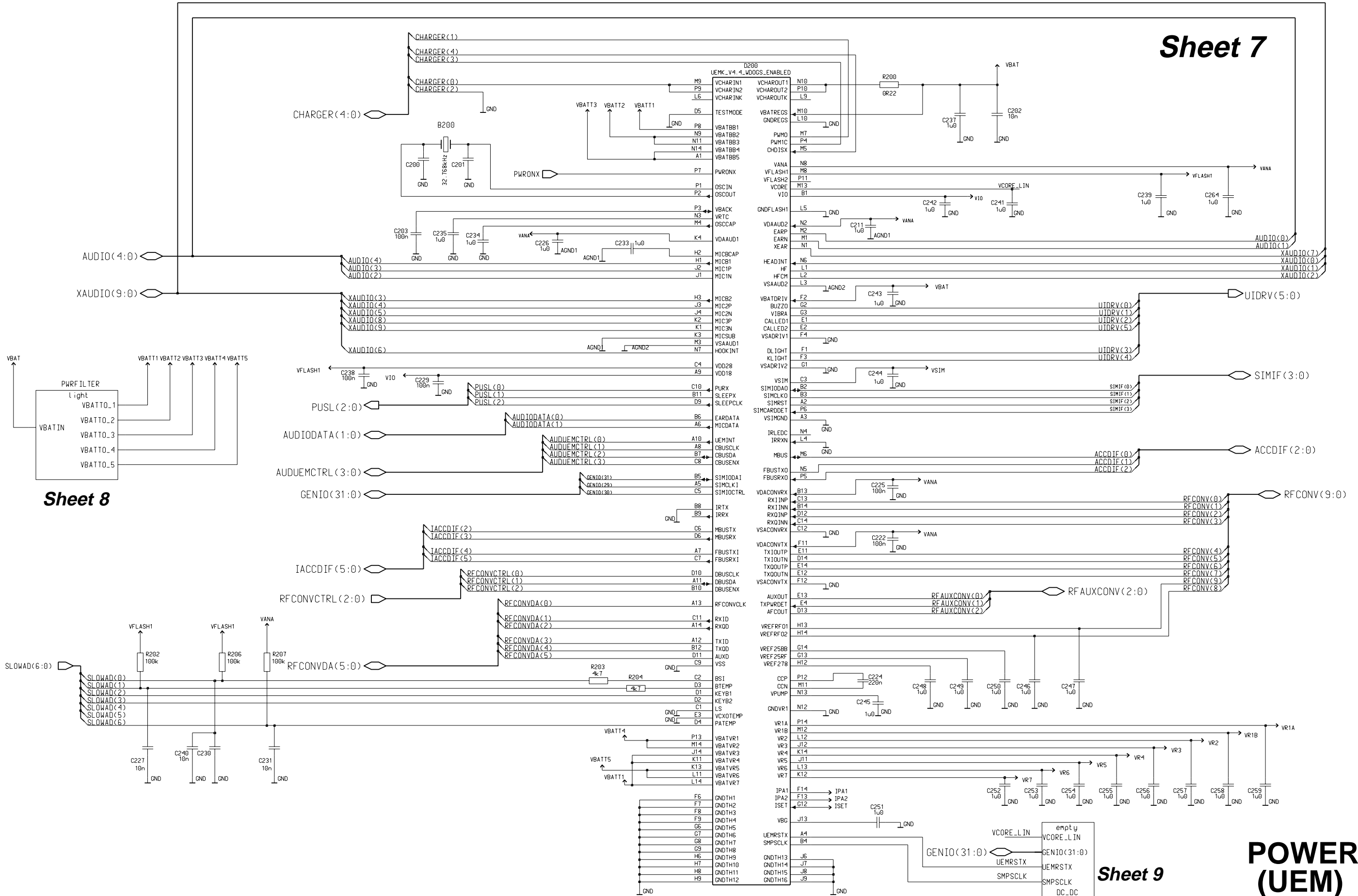
Sheet 6



SIM

UEM

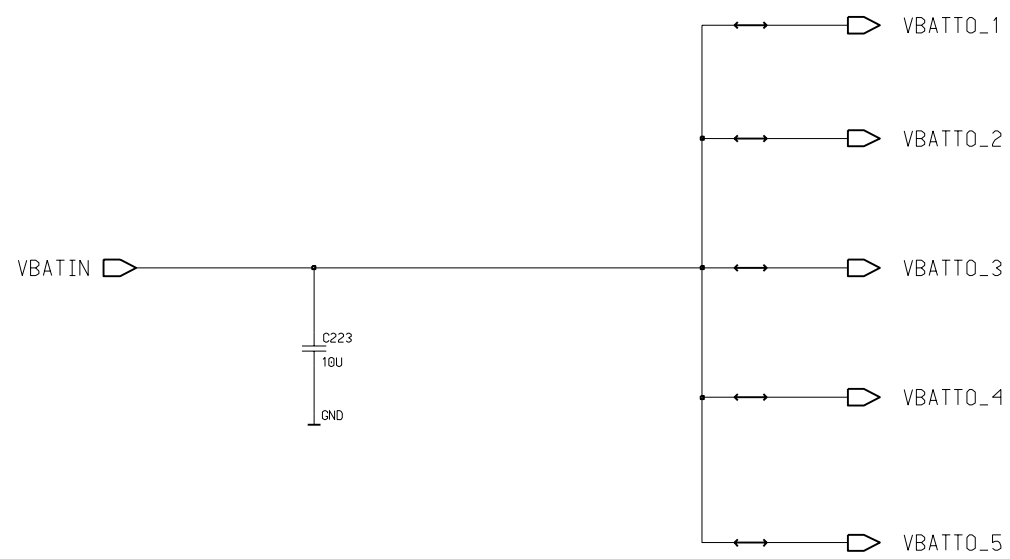
Sheet 7



Sheet 8

Sheet 9

POWER (UEM)

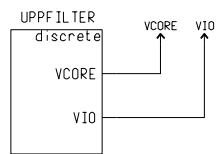
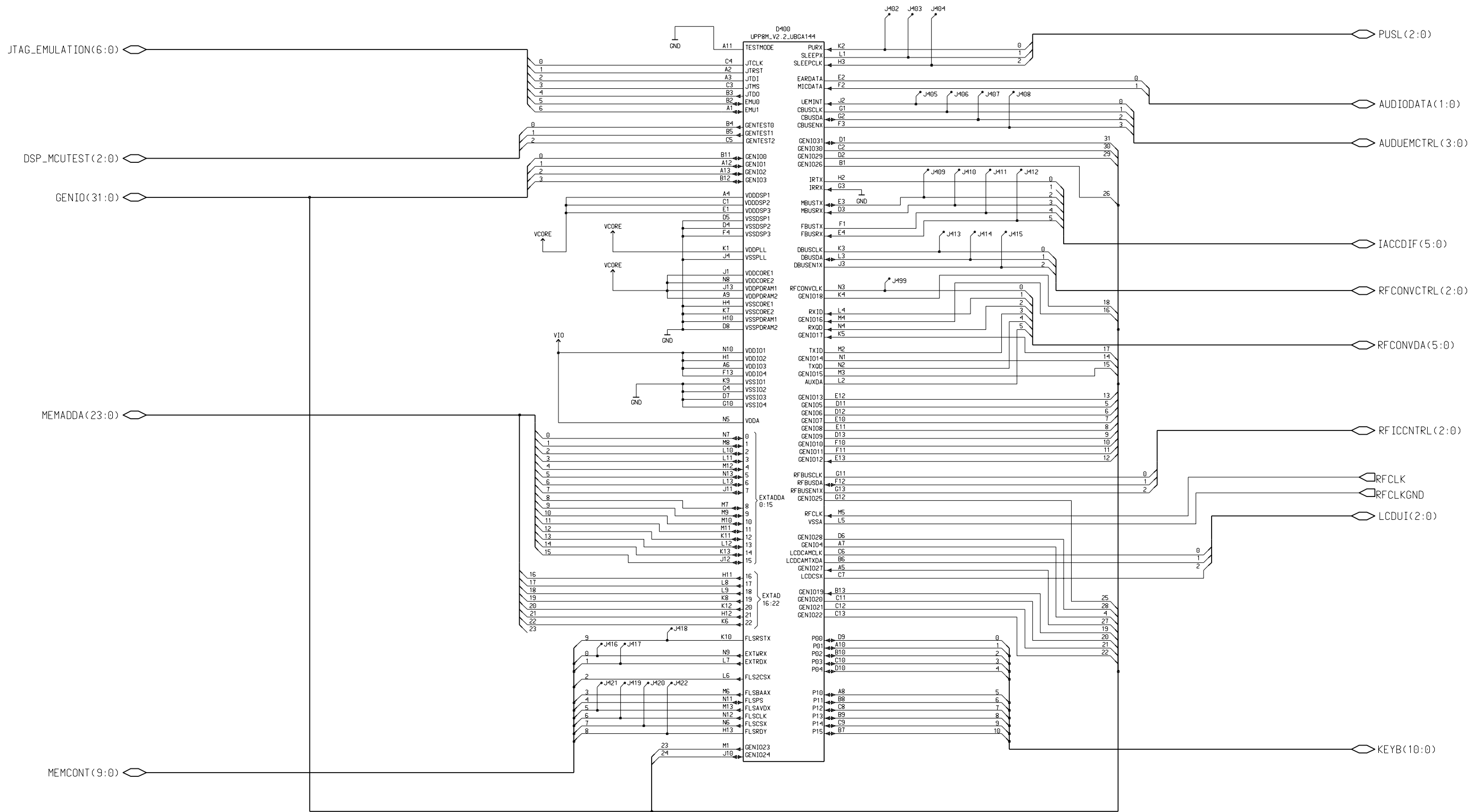


POWER FILTER



UPP 8M Implementation

Sheet 10

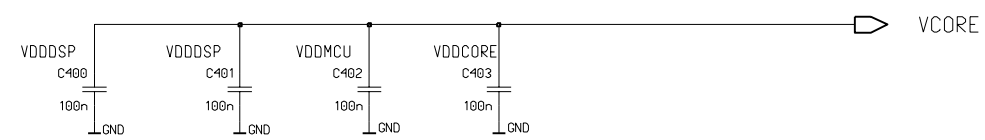


UPP_FILTER Sheet 11

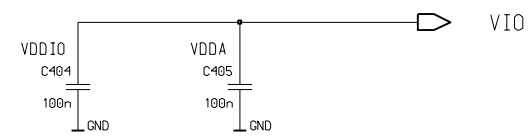
UPP

UPP Filter

Sheet 11

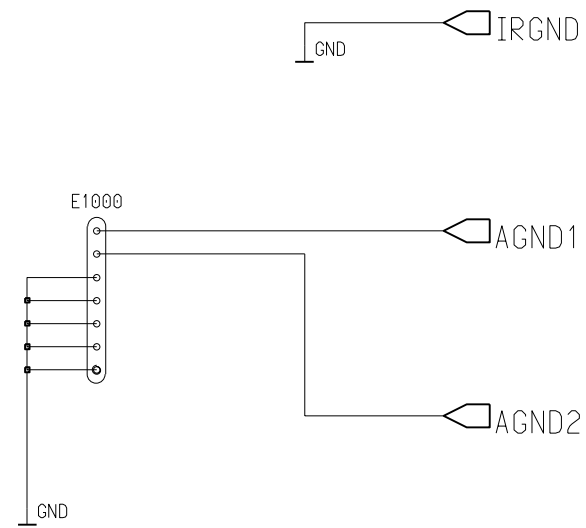


Place caps near UPP



UPP_FILTER

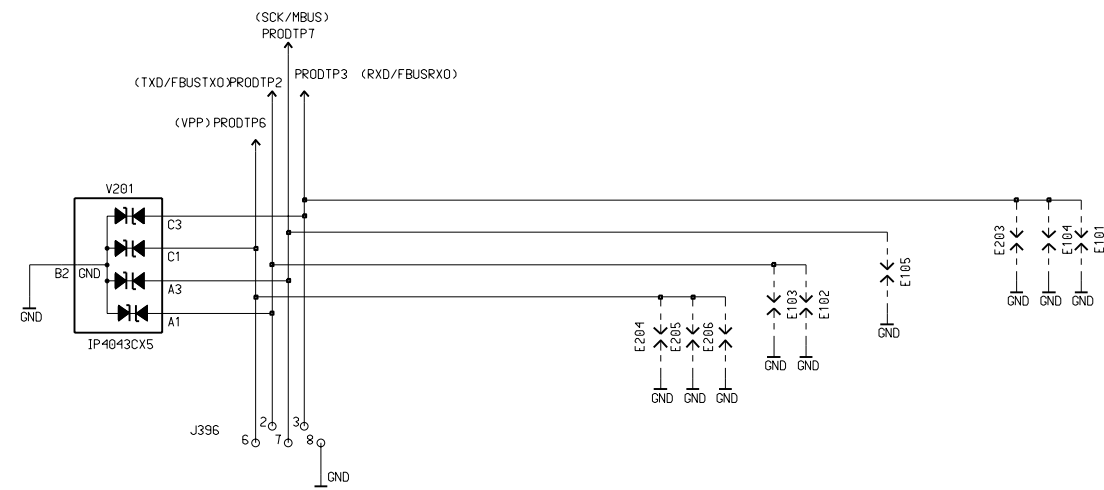
Sheet 12



MULIT GND

5-pin Production Test Pattern

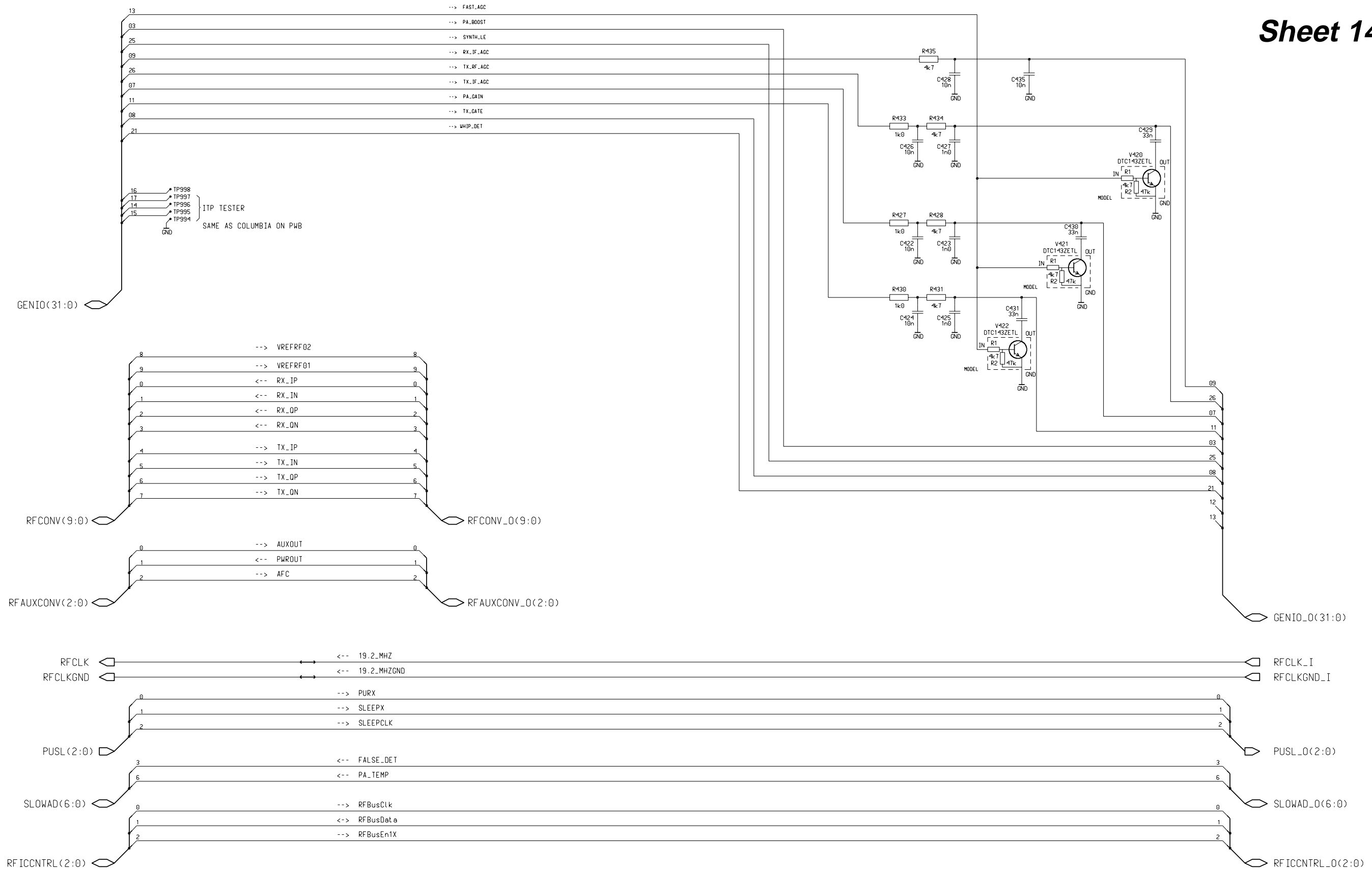
Sheet 13



PROD TEST PATTERN

RF-BB Interface

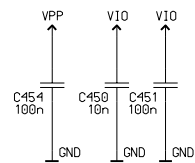
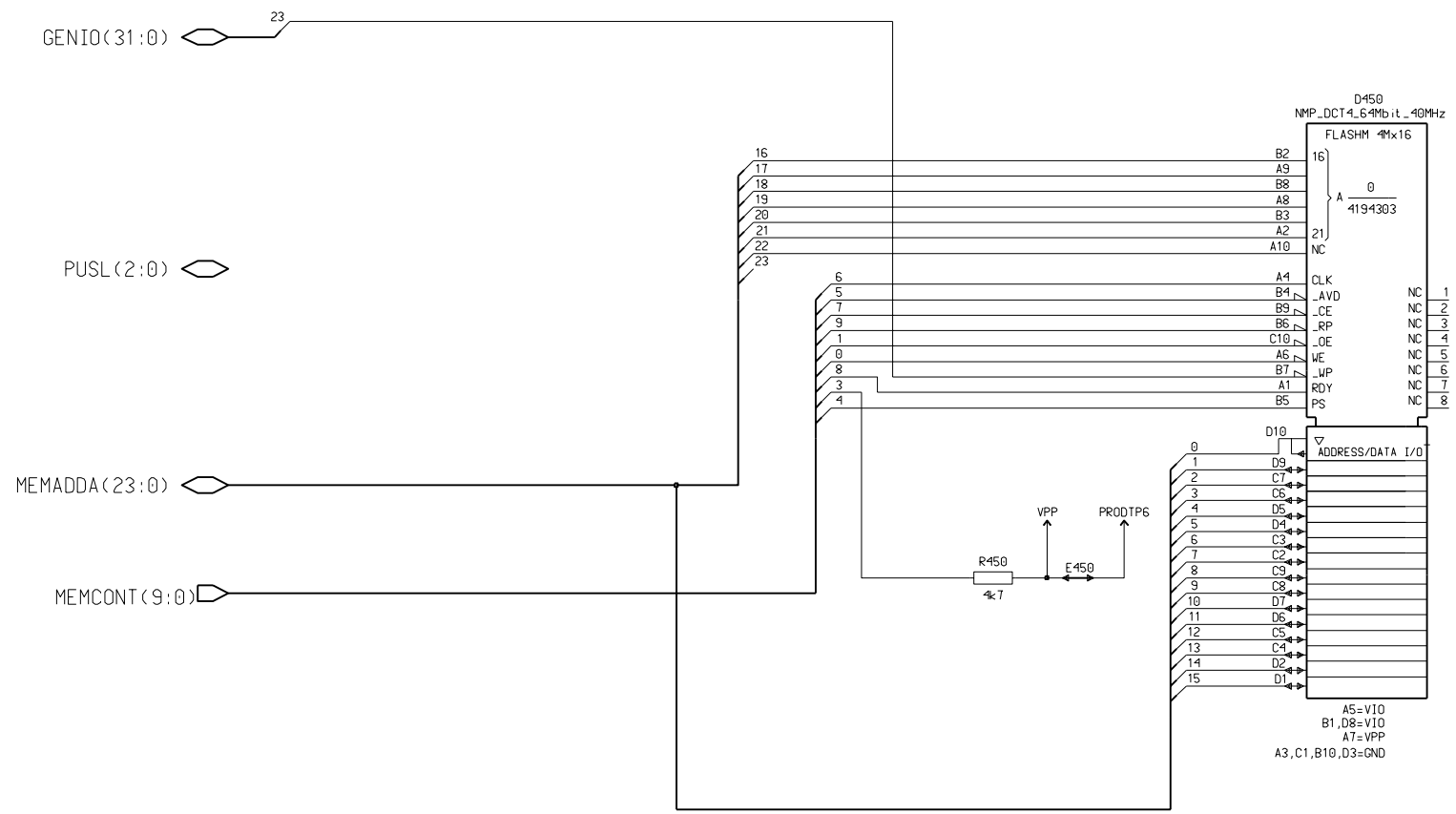
Sheet 14



RF-BB INTERFACE

Sheet 15

Do not use this sheet with UPP version 1



MEMORY (AMD 64 MBIT)



EMU

JTAG Emulator Connector and Buffers

Sheet 17



JTAG

Connector-based Ostrich Test Interfacel

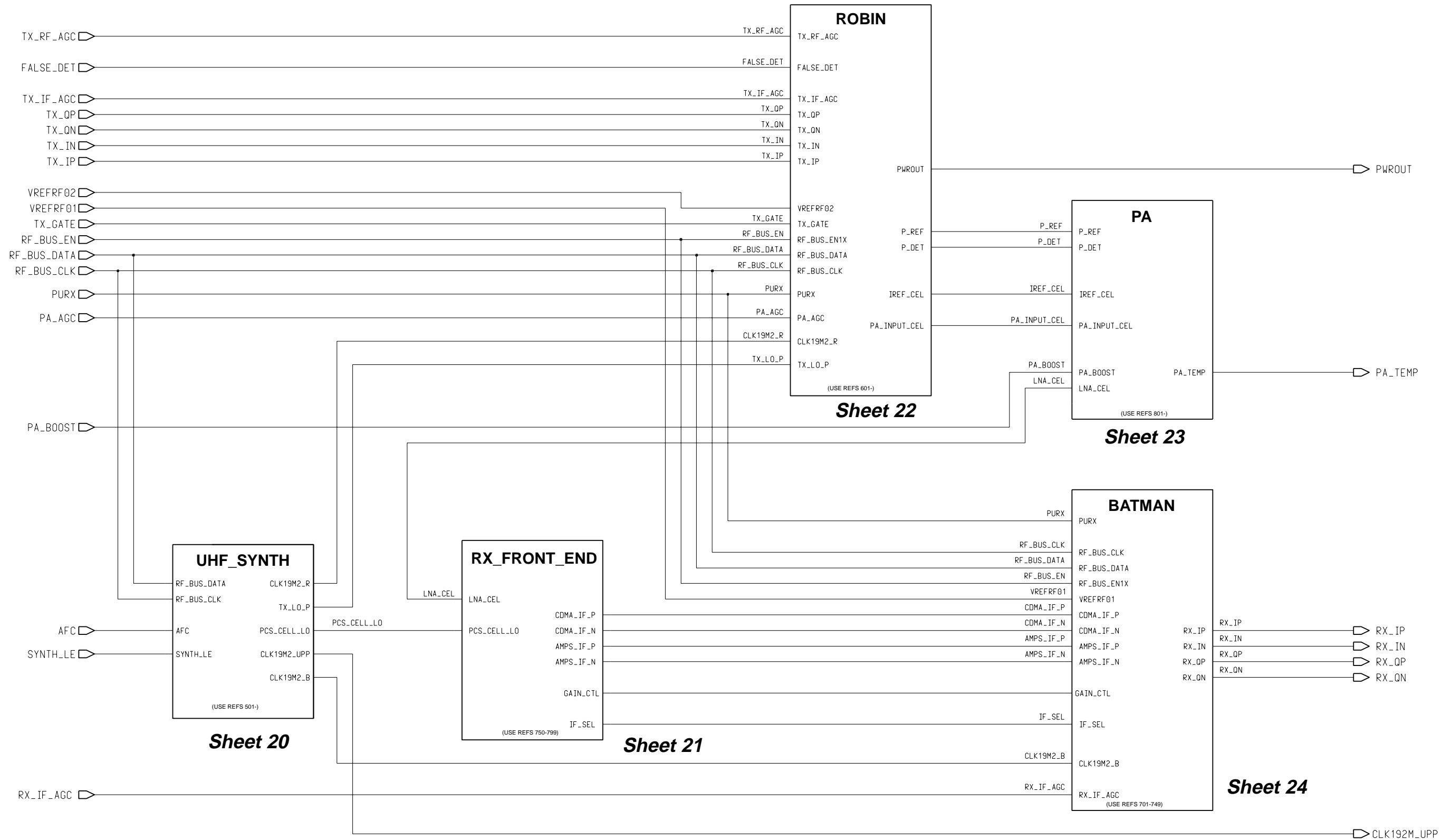
Sheet 18



OSTRICH

RF - Top Level

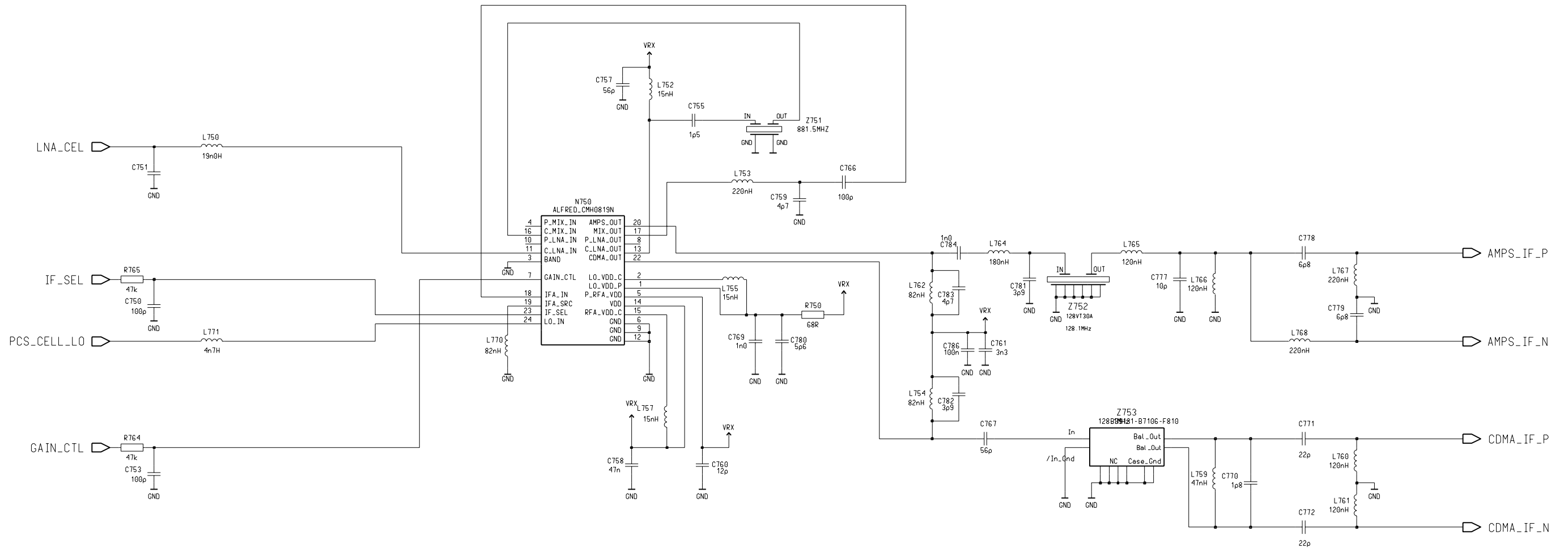
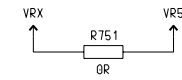
Sheet 19



RF TOP

RX Front End

Sheet 21

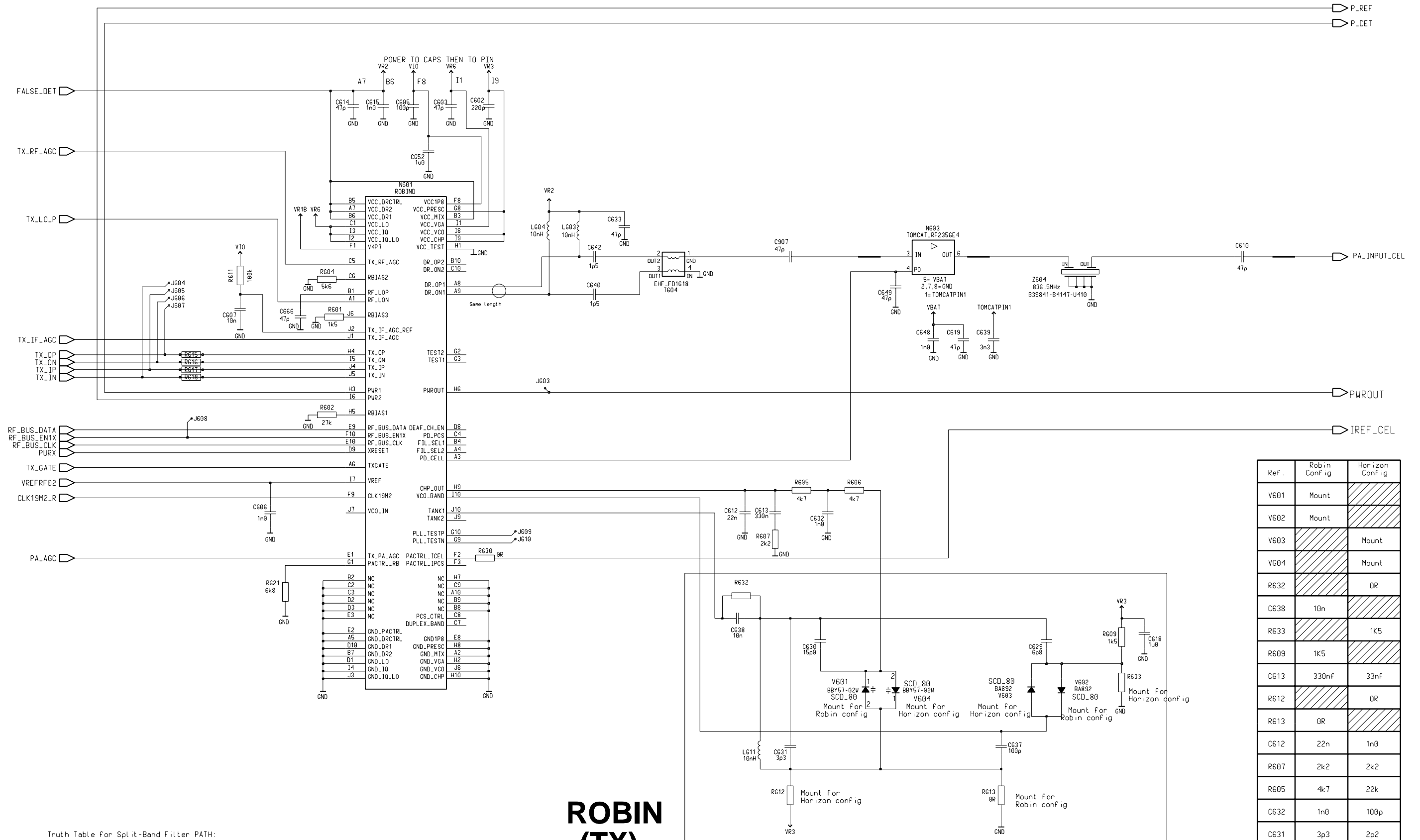


MODES	LOGIC INPUTS		
	BAND	GAIN_CTL	IF_SEL
CEL CDMA Hi Gain	0	1	0
CEL CDMA Lo Gain	0	0	0
PCS CDMA Hi Gain	1	1	0
PCS CDMA Lo Gain	1	0	0
AMPS Hi Gain	0	1	1
AMPS Lo Gain	0	0	1

RX FRONT END

Robin TX

Sheet 22



Truth Table for Split-Band Filter PATH:

DRV CNTL	DRV OUT STATE	VCONT1	VCONT2	SWITCH IN STATE
0 volt	RFOUT1	0 volt	2.7 volt	RFI1
2.7 volt	RFOUT2	2.7 volt	0 volt	RFI2

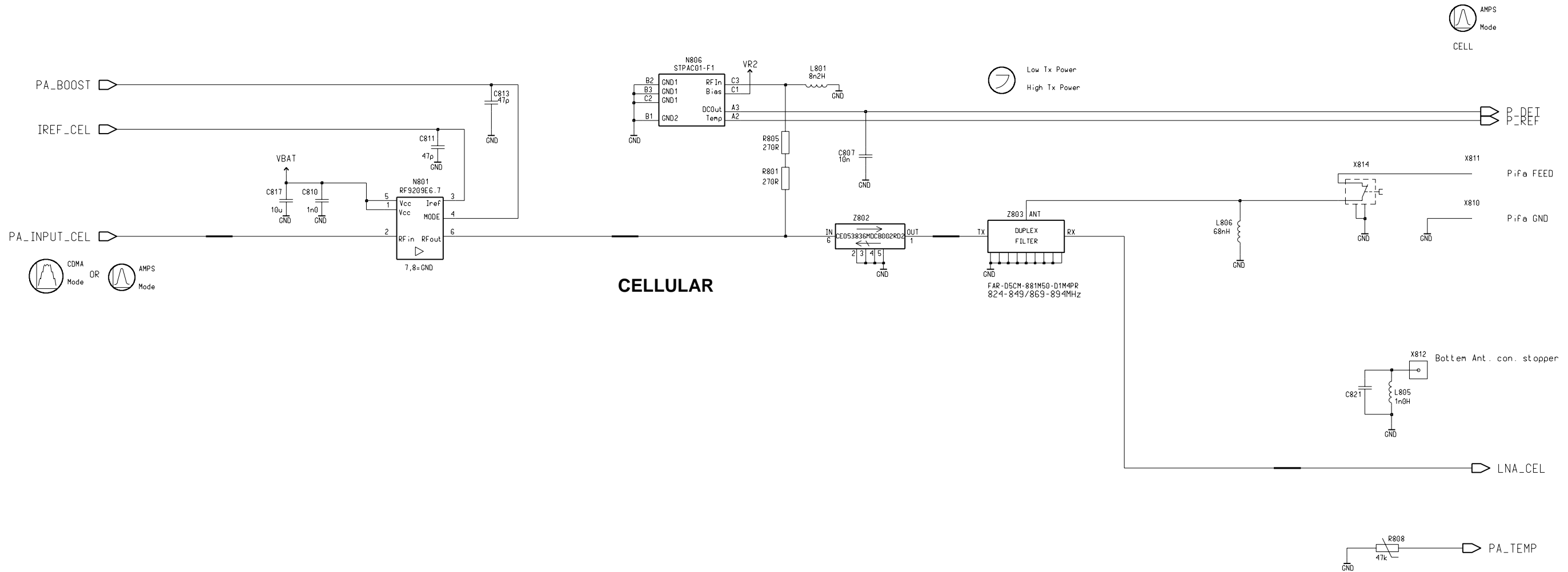
VCO_BAND	
Cell band	low (shorted to ground)

Ref.	Robin Config	Horizon Config
V601	Mount	
V602	Mount	
V603		Mount
V604		Mount
R632		0R
C638	10n	
R633		1k5
R609	1k5	
C613	330nf	33nf
R612		0R
R613	0R	
C612	22n	1n0
R607	2k2	2k2
R605	4k7	22k
C632	1n0	100p
C631	3p3	2p2

ROBIN (TX)

PA

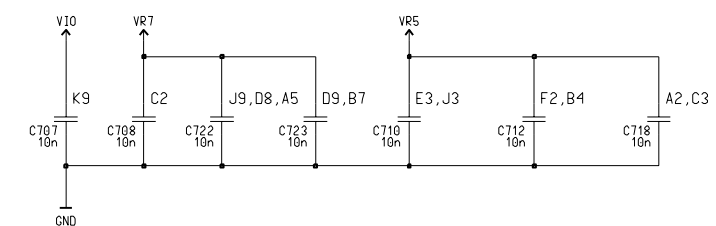
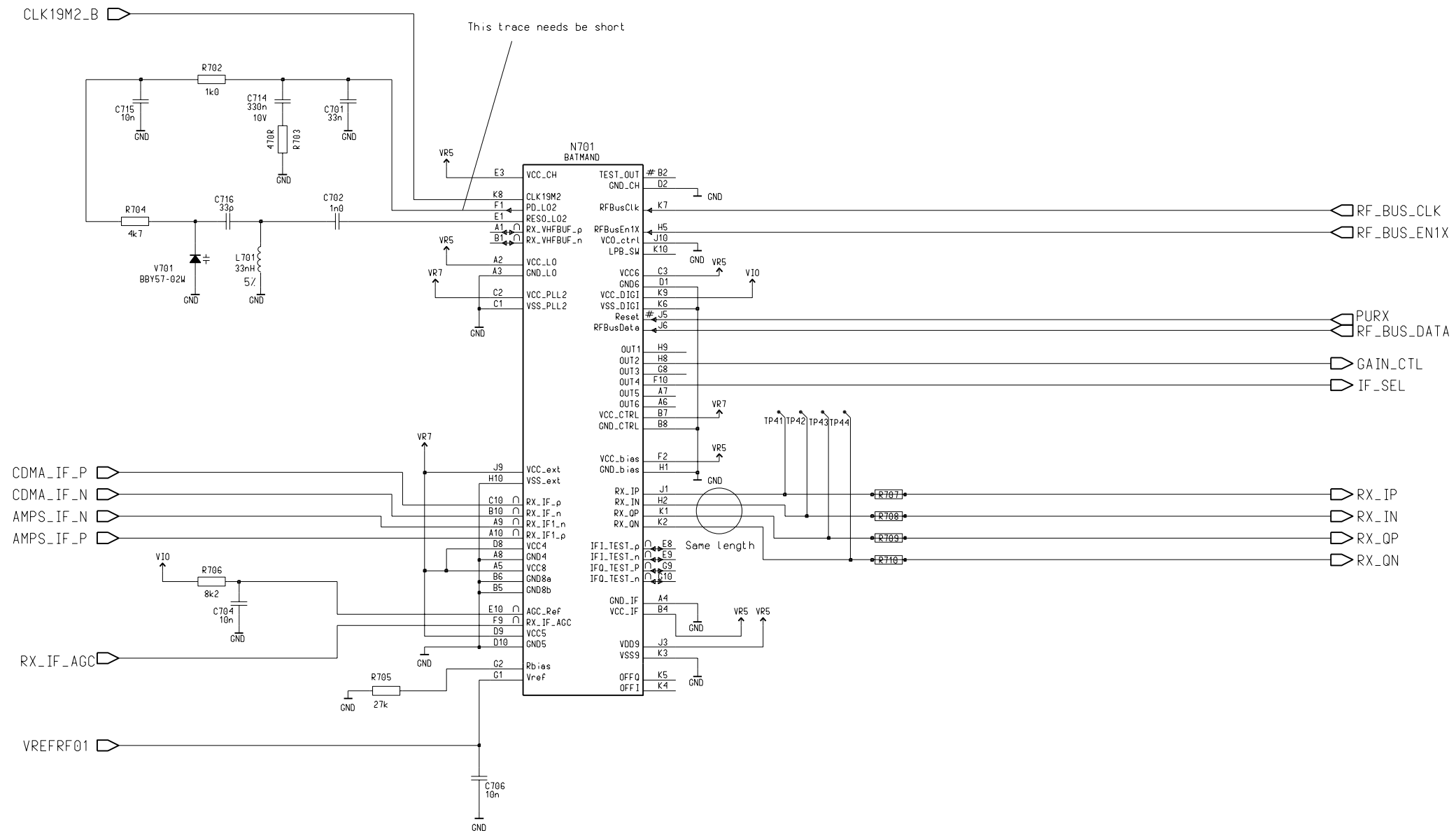
Sheet 23



PA

Batman RX

Sheet 24



BATMAN
(RX)

